



# MONO JACK

## 10T Mono Jack

- Designed for initialing in the prestressing industry or rock/cable bolting in the mining industry.
- Very light weight, able to be used overhead.
- Can be fitted with flat or solid noses.
- Suits 5, 7, 9.6, 12.7 & 15.2 strand.
- Vertical port orientation

## 17T Mono Jack

- Designed for initialing in the prestressing industry.
- Has the capability to achieve full tension on 12.7 (0.5") strand.
- Light weight steel design.
- Can be fitted with flat or solid noses.
- Suits 5, 7, 9.6, 12.7 & 15.2 strand.

## 25T Mono Jack

- Wide range of stroke and wire options.
- Heavy duty construction.
- Anti rotation standard on 0025-18 & 0025-24 models.
- Can be fitted with flat, spring loaded or hydraulic noses.
- Suits 5, 7, 9.6, 12.7, 15.2 & 15.7 strand.

## 27T Mono Jack

- Lightweight, compact design
- Lower operating pressure to increase pump life

## 30T Mono Jack

- Higher capacity to meet industry requirements.
- Compact and robust design.
- Can be fitted with flat, spring loaded or hydraulic noses.
- Suits 5, 7, 9.6, 12.7, 15.2 & 15.7 strand.



## Custom Options

- Anti rotation
- Vertical port orientation

T  
M  
E  
N  
T  
  
U  
I  
P  
M  
E  
N  
T  
  
Q  
U  
I  
P  
M  
E  
N  
T  
  
E  
N  
G  
I  
N  
E  
E  
R  
I  
N  
G  
S  
E  
R  
V  
I  
C  
E  
S  
  
S  
T  
R  
E  
S  
S  
I  
N  
G  
S  
  
H  
I  
G  
H  
P  
R  
E  
S  
S  
U  
R  
E  
S  
T  
R  
E  
S  
S  
I  
N  
G



# MONO JACK

## Ordering Information

IHS - MJ -  - DA -  -  -

### Model

- 0010-06: 10T Capacity, 152mm Stroke
- 0017-08: 17T Capacity, 200mm Stroke

### Nose

- S05S: Solid nose to suit Ø5mm wire
- S07S: Solid nose to suit Ø7mm wire
- S09S: Solid nose to suit Ø9.6mm wire
- S13F: Flat nose to suit Ø12.7mm strand
- S13S: Solid nose to suit Ø12.7mm strand
- S15F: Flat nose to suit Ø15.2mm strand
- S15S: Solid nose to suit Ø15.2mm strand

### Extension Coupler

- M: Male
- F: Female

### Retraction Coupler

- M: Male
- F: Female

IHS - MJ -  - DA -  -  -

### Model

- 0025-06: 25T Capacity, 148mm Stroke
- 0025-08: 25T Capacity, 196mm Stroke
- 0025-12: 25T Capacity, 300mm Stroke
- 0025-18: 25T Capacity, 488mm Stroke
- 0025-24: 25T Capacity, 607mm Stroke
- 0027-06: 27T Capacity, 146mm Stroke
- 0030-08: 30T Capacity, 200mm Stroke

### Nose

- L05S: Solid nose to suit Ø5mm wire
- L07S: Solid nose to suit Ø7mm wire
- L09S: Solid nose to suit Ø9.6mm wire
- L13F: Flat nose to suit Ø12.7mm strand
- L13S: Solid nose to suit Ø12.7mm strand
- L13PR: Pre-stressing nose to suit Ø12.7mm strand
- L13PO: Post tensioning nose to suit Ø12.7mm strand
- L13H: Hydraulic nose to suit Ø12.7mm strand
- L15F: Flat nose to suit Ø15.2mm strand
- L15S: Solid nose to suit Ø15.2mm strand
- L15PR: Pre-stressing nose to suit Ø15.2 & Ø15.7mm strand
- L15PO: Post tensioning nose to suit Ø15.2 & Ø15.7mm strand
- L15H: Hydraulic nose to suit Ø15.2mm & Ø15.7mm strand

### Extension Coupler

- M: Male
- F: Female

### Retraction Coupler

- M: Male
- F: Female



T  
E  
M  
P  
O  
R  
A  
R  
Y  
E  
N  
G  
I  
N  
E  
E  
R  
I  
N  
G  
G  
R  
O  
U  
P  
P  
T  
Y  
L  
T  
D

P: +61 3 9645 1522 | E: mail@mcmillaneng.com.au | W: www.mcmillaneng.com.au

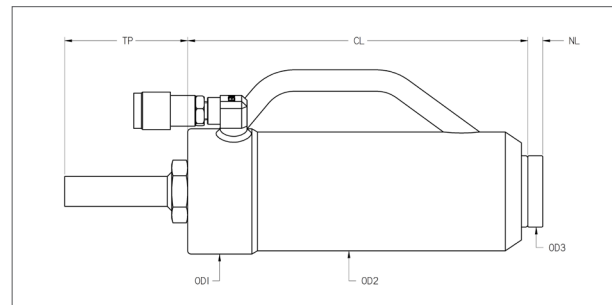


# MONO JACK

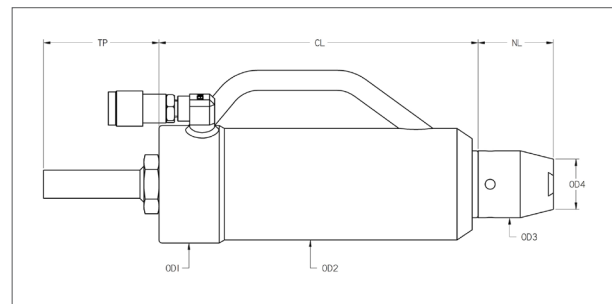
## Specifications

Part No.	Stroke (mm)	Pressure (bar)	Eff. Area (cm <sup>2</sup> )	Force (T)	OD1 (mm)	OD2 (mm)	CL (mm)	TP (mm)	W (kg)
IHS-CH-0010-06-DA	152	620	18.14	11.5	80	-	247	55	7.0
IHS-CH-0017-08-DA	200	690	24.98	17.6	88	-	315	87	10.7
IHS-CH-0025-06-DA	148	690	33.25	23.4	117	111	262	114	15.6
IHS-CH-0025-08-DA	196	690	33.25	23.4	117	111	318	115	18.5
IHS-CH-0025-12-DA	300	690	33.25	23.4	117	111	414	112	23.6
IHS-CH-0025-18-DA	488	690	33.25	23.4	117	111	605	142	35.3
IHS-CH-0025-24-DA	607	690	33.25	23.4	117	111	724	144	41.6
IHS-CH-0027-06-DA	146	620	43.72	27.6	121	-	276	115	17.9
IHS-CH-0030-08-DA	200	690	43.72	30.8	130	124	326	115	22.9

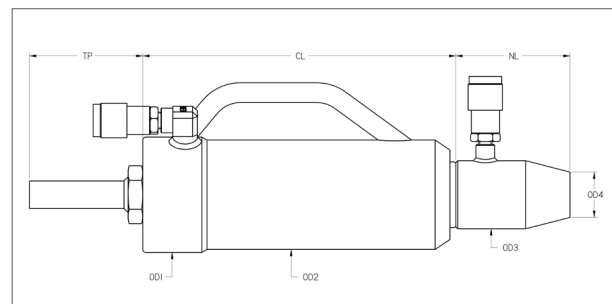
Nose	OD3 (mm)	OD4 (mm)	NL (mm)
S05S	55	45	70
S07S	55	45	70
S09S	55	45	70
S13F	54	-	8
S13S	55	45	50
S15F	54	-	8
S15S	55	45	50
L05S	66.6	45	75
L07S	66.6	45	75
L09S	66.6	45	75
L13F	66.6	-	14
L13S	66.6	45	75
L13PR	66.6	45	75
L13PO	66.6	45	75
L13H	69	46	116
L15F	66.6	-	14
L15S	66.6	50	75
L15PR	66.6	50	75
L15PO	66.6	50	75
L15H	69	46	116



**FLAT NOSE**



**SOLID/PRE/POST NOSE**



**HYDRAULIC NOSE**

T  
E  
M  
P  
I  
T  
U  
R  
E  
E  
N  
G  
I  
N  
E  
E  
R  
I  
N  
G  
S  
E  
R  
V  
I  
C  
E  
S

P: +61 3 9645 1522 | E: mail@mcmillaneng.com.au | W: www.mcmillaneng.com.au



# MONO JACK

## General Mono Jack Spares & Accessories

Part No.	Description
IHS-MJ-SP	IHS Mono Jack Spanner
IHS-GAU-A-6-F	6" Analogue gauge with female coupler
IHS-QA-06M-06M	Quick action coupler - 3/8" Male body / 3/8" NPT Male thread
IHS-QA-06F-06M	Quick action coupler - 3/8" Female body / 3/8" NPT Male thread
IHS-QA-06-CAP	Quick action coupler protection cap - 3/8"
IHS-QA-06-PLUG	Quick action coupler protection plug - 3/8"

## 10T/17T Mono Jack Spares

Part No.	Description
IHS-W-0505-RE	Ø5mm Wire wedge
IHS-W-0705-RE	Ø7mm Wire wedge
IHS-W-0909-RE	Ø9.6mm Wire wedge
IHS-W-1313-MJ	Ø12.7mm Strand wedge
IHS-W-1513-MJ	Ø15.2mm Strand wedge
IHS-MJ-S05S	Solid nose to suit Ø5mm wire
IHS-MJ-S07S	Solid nose to suit Ø7mm wire
IHS-MJ-S09S	Solid nose to suit Ø9.6mm wire
IHS-MJ-S13F	Flat nose to suit Ø12.7mm strand
IHS-MJ-S13S	Solid nose to suit Ø12.7mm strand
IHS-MJ-S15F	Flat nose to suit Ø15.2mm strand
IHS-MJ-S15S	Solid nose to suit Ø15.2mm strand
IHS-MJ-S05CK	Ø5mm Wire conversion kit
IHS-MJ-S07CK	Ø7mm Wire conversion kit
IHS-MJ-S09CK	Ø9.6mm Wire conversion kit
IHS-MJ-10T-SK	Seal kit to suit 10T Mono Jack
IHS-MJ-17T-SK	Seal kit to suit 17T Mono Jack

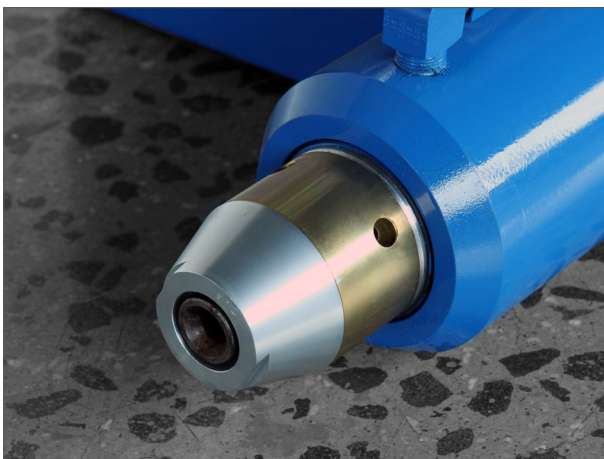
T  
N  
E  
M  
P  
H  
U  
Q  
E  
G  
N  
H  
S  
S  
E  
R  
T  
S  
S  
H  
H

P: +61 3 9645 1522 | E: [mail@mcmillaneng.com.au](mailto:mail@mcmillaneng.com.au) | W: [www.mcmillaneng.com.au](http://www.mcmillaneng.com.au)



## 25T/27T/30T Mono Jack Spares

Part No.	Description
IHS-W-0505-RE	Ø5mm Wire wedge
IHS-W-0705-RE	Ø7mm Wire wedge
IHS-W-0909-RE	Ø9.6mm Wire wedge
IHS-W-1315-MJ	Ø12.7mm Strand wedge
IHS-W-1515-MJ	Ø15.2mm Strand wedge
IHS-MJ-L05S	Solid nose to suit Ø5mm wire
IHS-MJ-L07S	Solid nose to suit Ø7mm wire
IHS-MJ-L09S	Solid nose to suit Ø9.6mm wire
IHS-MJ-L13F	Flat nose to suit Ø12.7mm strand
IHS-MJ-L13S	Solid nose to suit Ø12.7mm strand
IHS-MJ-L13PR	Pre-stressing nose to suit Ø12.7mm strand
IHS-MJ-L13PO	Post tensioning nose to suit Ø12.7mm strand
IHS-MJ-L13H	Hydraulic nose to suit Ø12.7mm strand
IHS-MJ-L15F	Flat nose to suit Ø15.2mm & Ø15.7mm strand
IHS-MJ-L15S	Solid nose to suit Ø15.2mm & Ø15.7mm strand
IHS-MJ-L15PR	Pre-stressing nose to suit Ø15.2mm & Ø15.7mm strand
IHS-MJ-L15PO	Post tensioning nose to suit Ø15.2mm & Ø15.7mm strand
IHS-MJ-L15H	Hydraulic nose to suit Ø15.2mm & Ø15.7mm strand
IHS-MJ-L05CK	Ø5mm Wire conversion kit
IHS-MJ-L07CK	Ø7mm Wire conversion kit
IHS-MJ-L09CK	Ø9.6mm Wire conversion kit
IHS-MJ-25T-SK	Seal kit to suit 25T Mono Jack
IHS-MJ-27T-SK	Seal kit to suit 27T Mono Jack
IHS-MJ-30T-SK	Seal kit to suit 30T Mono Jack



T  
E  
M  
P  
U  
Q  
E  
G  
N  
H  
S  
S  
E  
R  
S  
T  
S  
H