

# Steel strip sheaths for prestressing tendons — Test methods

## Part 4. Determination of lateral load resistance

The European Standard EN 524-4 : 1997 has the status of a  
British Standard

ICS 77.140.75; 91.080.40

## National foreword

This British Standard is the English language version of EN 524-4 : 1997. The UK participation in its preparation was entrusted by Technical Committee B/525, Building and civil engineering structures, to Subcommittee B/525/2, Structural use of concrete, which has the responsibility to:

- aid enquirers to understand the text;
- present to the responsible European committee any enquiries on the interpretation, or proposals for change, and keep the UK interests informed;
- monitor related international and European developments and promulgate them in the UK.

A list of organizations represented on this committee can be obtained on request to its secretary.

### Cross-references

The British Standards which implement international or European publications referred to in this document may be found in the BSI Standards Catalogue under the section entitled 'International Standards Correspondence Index', or by using the 'Find' facility of the BSI Standards Electronic Catalogue.

**Compliance with a British Standard does not of itself confer immunity from legal obligations.**

### Summary of pages

This document comprises a front cover, an inside front cover, an EN title page, pages 2 to 4, an inside back cover and a back cover.

### Amendments issued since publication

Amd. No.	Date	Text affected

This British Standard, having been prepared under the direction of the Sector Board for Building and Civil Engineering, was published under the authority of the Standards Board and comes into effect on 15 November 1997

© BSI 1997

ISBN 0 580 28672 X

ICS 77.140.75; 91.080.40

Descriptors: Prestressed concretes, tubes, sheathing, prestressing steels, classifications, specification, verification, marking

English version

## Steel strip sheaths for prestressing tendons — Test methods — Part 4: Determination of lateral load resistance

Gaines en feuillard d'acier pour câbles de  
précontrainte — Méthodes d'essai —  
Partie 4: Détermination de la résistance aux charges  
latérales

Hüllrohre aus Bandstahl für Spannglieder —  
Prüfverfahren —  
Teil 4: Bestimmung der Querbelaubarkeit

This European Standard was approved by CEN on 1997-01-27. CEN members are bound to comply with the CEN/CENELEC Internal Regulations which stipulate the conditions for giving this European Standard the status of a national standard without any alteration.

Up-to-date lists and bibliographical references concerning such national standards may be obtained on application to the Central Secretariat or to any CEN member.

This European Standard exists in three official versions (English, French, German). A version in any other language made by translation under the responsibility of a CEN member into its own language and notified to the Central Secretariat has the same status as the official versions.

CEN members are the national standards bodies of Austria, Belgium, Denmark, Finland, France, Germany, Greece, Iceland, Ireland, Italy, Luxembourg, Netherlands, Norway, Portugal, Spain, Sweden, Switzerland and United Kingdom.

**CEN**

European Committee for Standardization  
Comité Européen de Normalisation  
Europäisches Komitee für Normung

**Central Secretariat: rue de Stassart 36, B-1050 Brussels**

## Foreword

This European Standard has been prepared by Technical Committee CEN/TC 104, Concrete (performance, production, placing and compliance criteria), the Secretariat of which is held by DIN.

This standard is a part of the series EN 524 *Sheaths for prestressing tendons — Test methods* which additionally comprises the following Parts

- Part 1 *Determination of shape and dimensions*
- Part 2 *Determination of flexural behaviour*
- Part 3 *To-and-fro bending test*
- Part 5 *Determination of tensile load resistance*
- Part 6 *Determination of leaktightness (Determination of water loss)*

These European Standards apply to EN 523 *Steel strip sheaths for prestressing tendons — Terminology, requirements, quality control*.

This European Standard shall be given the status of a national standard, either by publication of an identical text or by endorsement, at the latest by September 1997, and conflicting national standards shall be withdrawn at the latest by September 1997.

According to the CEN/CENELEC Internal Regulations, the national standards organizations of the following countries are bound to implement this European Standard: Austria, Belgium, Denmark, Finland, France, Germany, Greece, Iceland, Ireland, Italy, Luxembourg, Netherlands, Norway, Portugal, Spain, Sweden, Switzerland and the United Kingdom.

## Contents

	Page
Foreword	2
<b>1</b> Scope	3
<b>2</b> Normative references	3
<b>3</b> Apparatus and accuracy	3
<b>4</b> Procedure	3

## 1 Scope

This European Standard specifies the procedure for determining the lateral load resistance of sheaths for prestressing tendons which comply with EN 523.

## 2 Normative references

This European Standard incorporates by dated or undated reference, provisions from other publications. These normative references are cited at the appropriate places in the text and the publications are listed hereafter. For dated references, subsequent amendments to or revisions of any of these publications apply to this European Standard only when incorporated in it by amendment or revision. For undated references the latest edition of the publication referred to applies.

EN 523 : 1997 *Steel strip sheaths for prestressing tendons — Terminology, requirements, quality control*

## 3 Apparatus and accuracy

The following test equipment is required:

- a testing machine or a suitable test frame with a hydraulic or mechanical drive;
- a load measuring device with an accuracy of 2 % of the lateral load specified in table 1 in EN 523 : 1997;
- a deformation measuring instrument e.g. vernier calliper or micrometer gauge with an accuracy of 0,1 mm.

## 4 Procedure

A 1100 mm long specimen is placed on a firm, 500 mm long base as shown in figure 1 and subjected to loading by means of a plunger provided with a cylindrical end with a diameter of 12 mm. Each test specimen has to be loaded twice in two different places, one on the seam and the other outside the seam. The places of loading on and outside the seam shall be situated in the middle part of the specimen and shall have a distance of 150 mm minimum from one another.

The time of load application shall lie between 30 s and 1 min. After unloading, the smallest irreversible internal diameter of the sheath shall be determined at each loading point.

NOTE. This test may also be conducted using a stiffener if necessary.

Where stiffeners are used (see figure 1) the size shall not exceed half the circumference of the specimen and shall have the same profile as the specimen.

The length of the stiffener shall not exceed 1,5 times the nominal internal diameter of the sheath or 100 mm whichever is the greater.

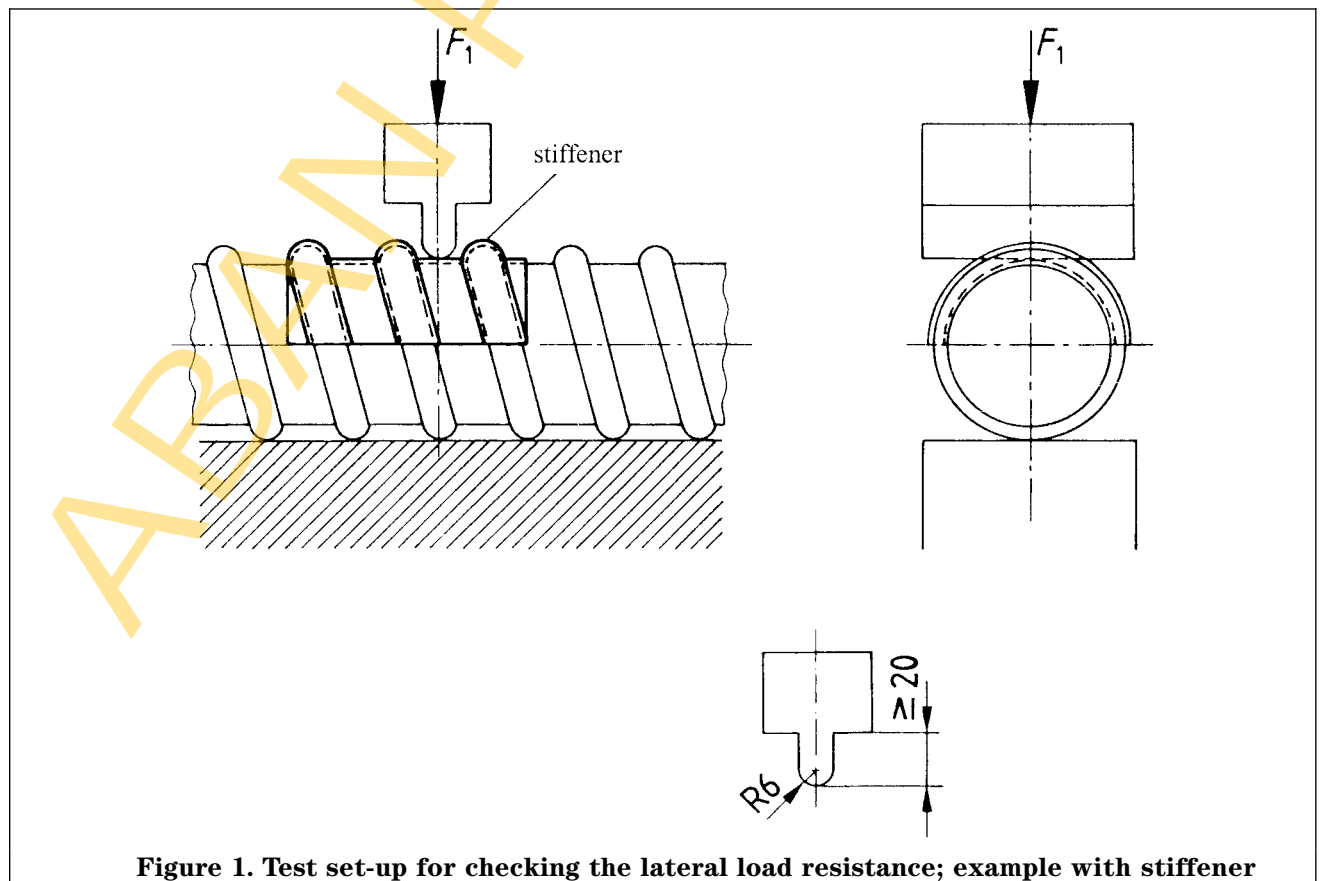


Figure 1. Test set-up for checking the lateral load resistance; example with stiffener

---

# BSI — British Standards Institution

BSI is the independent national body responsible for preparing British Standards. It presents the UK view on standards in Europe and at the international level. It is incorporated by Royal Charter.

## Revisions

British Standards are updated by amendment or revision. Users of British Standards should make sure that they possess the latest amendments or editions.

It is the constant aim of BSI to improve the quality of our products and services. We would be grateful if anyone finding an inaccuracy or ambiguity while using this British Standard would inform the Secretary of the technical committee responsible, the identity of which can be found on the inside front cover. Tel: 020 8996 9000. Fax: 020 8996 7400.

BSI offers members an individual updating service called PLUS which ensures that subscribers automatically receive the latest editions of standards.

## Buying standards

Orders for all BSI, international and foreign standards publications should be addressed to Customer Services. Tel: 020 8996 9001. Fax: 020 8996 7001.

In response to orders for international standards, it is BSI policy to supply the BSI implementation of those that have been published as British Standards, unless otherwise requested.

## Information on standards

BSI provides a wide range of information on national, European and international standards through its Library and its Technical Help to Exporters Service. Various BSI electronic information services are also available which give details on all its products and services. Contact the Information Centre. Tel: 020 8996 7111. Fax: 020 8996 7048.

Subscribing members of BSI are kept up to date with standards developments and receive substantial discounts on the purchase price of standards. For details of these and other benefits contact Membership Administration. Tel: 020 8996 7002. Fax: 020 8996 7001.

## Copyright

Copyright subsists in all BSI publications. BSI also holds the copyright, in the UK, of the publications of the international standardization bodies. Except as permitted under the Copyright, Designs and Patents Act 1988 no extract may be reproduced, stored in a retrieval system or transmitted in any form or by any means – electronic, photocopying, recording or otherwise – without prior written permission from BSI.

This does not preclude the free use, in the course of implementing the standard, of necessary details such as symbols, and size, type or grade designations. If these details are to be used for any other purpose than implementation then the prior written permission of BSI must be obtained.

If permission is granted, the terms may include royalty payments or a licensing agreement. Details and advice can be obtained from the Copyright Manager. Tel: 020 8996 7070.